



STOCK PRODUCTS  
& QUOTATION REQUEST FORMS

# CONTENTS

---

**4**

STOCK  
CONNECTING  
RODS

**7**

ROD REQUEST  
FORM

**8**

STOCK CAM  
FOLLOWERS

**10**

CAM FOLLOWER  
REQUEST FORM

**11**

STOCK TAPPET  
SHIMS

**12**

STOCK  
CRANKSHAFTS

**14**

CRANK  
REQUEST FORM

A REGULARLY UPDATED LIST IS AVAILABLE FROM OUR WEBSITE AT  
**[WWW.ARROWPRECISION.COM](http://WWW.ARROWPRECISION.COM)**

# WELCOME



Arrow Precision's range of high quality products span all areas of motor sport. From 'track day', 'fast road' car and bike applications all the way through vintage and classic, club racers, speedway world championship, British Superbike, Moto GP, World Rally Championship, Nascar, LeMans, Touring Car, Formula 1 and many more.

We also manufacture fully machined OE connecting rods and cranks for some of the leading brands of high performance road cars, for whom only the best in the world is good enough! Whether you require a set of cam followers for a Ford Escort, or high volume bespoke design connecting rods, we have a solution that meets your needs.

This booklet provides information on our currently held stock items and gives limited application and dimensional information, please contact us if you need more details.

Arrow offer the entire range of ARP products via our web site and hold hundreds of popular part no's in stock for next day delivery. Click online at [www.arrowprecision.com](http://www.arrowprecision.com) for full details .

ARP are universally recognised as the world leader in motorsport fasteners. Their products have been used in just about every kind of competition from Rally to Drag racing. ARP is a highly diversified manufacturer with four factories in Southern California. Today, ARP's product line contains thousands or part numbers, and has expanded to include virtually every fastener found in an engine and driveline. These range from quality high performance OEM replacement parts to exotic speciality hardware used in Formula 1, IndyCar, NASCAR and NHRA drag racing to name but a few.



# STOCK CONNECTING RODS

Engine Description	Part No.	B/E Dia	G/Pin Dia	Centres	B/E Width	S/E Width	Bolt Size	Qty in Set
Audi S4 2.7t	ARROW199	57.610	21.000	154.000	20.125	21.900	5/16 UNF	4
Austin Metro	ARROW108	48.152	13/16	146.050	26.200	22.600	5/16 WAVELOC	4
Austin Metro 6R4	ARROW137	53.973	7/8	143.764	21.437	24.200	3/8 UNF	4
Austin Mini Cooper 1275	ARROW107	44.977	13/16	146.050	26.950	22.300	5/16 WAVELOC	4
Austin Mini Cooper S Bushed	ARROW168	44.978	13/16	146.050	26.950	22.300	5/16 UNF	4
BMW Mini Cooper	ARROW192	49.008	21.000	131.500	23.250	18.500	3/8 UNF	4
BMW M3 E36/S50	ARROW183	53.008	21.000	139.000	21.825	21.825	7/16 UNF	6
BMW M3 E46/S54	ARROW178	53.007	21.000	139.000	19.825	19.825	7/16 UNF	6
BMW M3 E36 3.0ltr	ARROW RO75	53.006	21.000	142.275	21.900	21.900	3/8 UNF	6
BMW M52 TU 24V	ARROW171	48.006	22.000	140.000	21.865	21.865	3/8 UNF	6
BMW M52/M54	ARROW175	48.006	22.000	145.000	21.865	21.865	3/8 UNF	6
BMW M52 3.2ltr	ARROW187	48.006	22.000	135.000	21.865	21.865	3/8 UNF	6
BMW M60/M62	ARROW186	52.006	22.000	143.000	20.825	20.825	3/8 UNF	8
BMW S14	ARROW170	52.007	22.000	144.000	23.925	23.925	3/8 UNF	4
BMW S62 B50-E39 M5 V8	ARROW208	53.050	22.000	141.550	20.900	20.900	3/8 UNF	8
BMW S65 B40 E90 M3 V8	ARROW209	56.050	21.000	140.700	18.400	19.900	3/8 UNF	8
BMW S85 B50 E60 M5 V10	ARROW209B	56.050	21.000	140.700	18.400	19.900	3/8 UNF	10
BMW N54 B30	ARROW210	53.608	22.000	145.050	20.900	20.900 Tapered	3/8 UNF	6
BMW N55	ARROW215	53.608	22.000	144.350	20.900	20.900 Tapered	3/8 UNF	6
Cosworth YB 4x4	ARROW 216	55.010	24.000	136.000	25.880	25.880	3/8 UNF	4
Cosworth YB 5.35 Narrow Pin	ARROW NO81	52.900	22.000	136.00	23.650	23.650	3/8 UNF	4
Cosworth YB 5.35	ARROW NO82	55.015	22.000	136.00	25.790	25.790	3/8 UNF	4
Cov Climax 45 degree	ARROW176	51.340	3/4	120.650	25.300	22.202	5/16 UNF	4
Ferrari 308	ARROW 217	47.136	18.50	136.975	20.875	20.500	3/8 UNF	8
Ferrari 246	ARROW 218	47.135	20.00	118.000	23.600	23.600	3/8 UNF	6
Fiat Punto	ARROW166	48.638	22.000	128.500	25.425	25.425	3/8 UNF	4
Ford Duratec 2.0ltr	ARROW174	50.035	21.000	146.250	21.825	18.000	3/8 UNF	4

## STOCK CONNECTING RODS cont...

Engine Description	Part No.	B/E Dia	G/Pin Dia	Centres	B/E Width	S/E Width	Bolt Size	Qty in Set
Ford Duratec 2.3ltr	ARROW184	53.040	21.025	154.815	21.825	20.500	3/8 UNF	4
Ford Duratec/Jaguar 3.0ltr	ARROW185	53.025	21.024	138.125	21.300	21.300	3/8 UNF	6
Ford Focus 1.6	ARROW190	47.035	18.000	137.000	20.825	15.000	3/8 UNF	4
Ford 1600 CVH	ARROW147	50.910	13/16	132.000	24.300	24.300	3/8 UNF	4
Ford 4.826 Narrow Pin	ARROW100	52.902	13/16	122.580	23.673	23.673	3/8 UNF	4
Ford 4.826 Wide Pin	ARROW101	52.902	13/16	122.580	26.800	26.800	3/8 UNF	4
Ford 4.926 Narrow Pin	ARROW102	52.902	13/16	125.120	23.673	23.673	3/8 UNF	4
Ford 4.926 Wide Pin	ARROW103	52.902	13/16	125.120	26.800	26.800	3/8 UNF	4
Ford 5.1 Wide Pin	ARROW123	52.900	13/16	129.500	26.800	26.800	3/8 UNF	4
Ford 5.1 Narrow Pin	ARROW124	52.900	13/16	129.500	23.650	23.650	3/8 UNF	4
Ford 5.23 Narrow Pin	ARROW104	52.902	13/16	132.842	23.673	23.673	3/8 UNF	4
Ford 5.23 Narrow I Section	ARROW206	52.902	13/16	132.842	23.673	23.673	3/8 UNF	4
Ford 5.23 Wide Pin	ARROW105	52.902	13/16	132.842	26.800	26.800	3/8 UNF	4
Ford 5.4 Narrow Pin	ARROW V088	52.902	13/16	137.160	23.673	23.673	3/8 UNF	4
Ford Pinto 5.0	ARROW 118	55.010	24.000	127.000	25.875	25.875	3/8 UNF	4
Ford Pinto 5.060	ARROW119	55.010	24.000	128.525	25.875	25.875	3/8 UNF	4
Ford RS 2000	ARROW145	53.900	13/16	149.250	25.660	21.040	3/8 UNF	4
Ford Zetec	ARROW132	49.895	13/16	136.180	24.330	24.330	3/8 UNF	4
Ford Zetec Bushed	ARROW157	49.895	13/16	136.180	24.330	24.330	3/8 UNF	4
Jaguar 3.8/4.2 Ltr	ARROW138	56.719	7/8	196.850	29.975	27.380	3/8 UNF	6
Honda B16 A	ARROW214	48.050	21.000	134.300	23.800	20.000	5/16 UNF	4
Honda K20 A	ARROW200	51.010	22.000	139.000	19.825	19.825	3/8 UNF	4
Lancia Integrale 4x4 Turbo	ARROW177	53.906	22.000	145.000	25.705	25.705	3/8 UNF	4
MGB 1800	ARROW146	51.340	13/16	165.100	25.325	25.325	3/8 UNF	4
Mini Metro	ARROW212	48.152	13/16	146.050	26.200	22.600	5/16 UNF	4
Mitsubishi	ARROW162	48.005	22.000	149.950	26.370	26.370	5/16 UNF	4
Mitsubishi EVO X	ARROW203	55.006	23.000	143.725	21.880	19.875	3/8 UNF	4

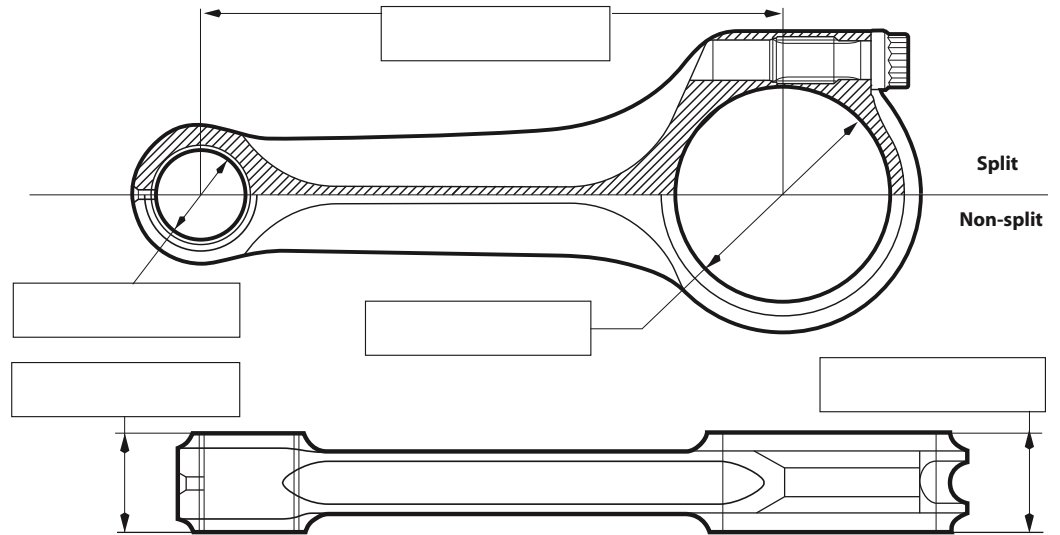
## STOCK CONNECTING RODS cont...

Engine Description	Part No.	B/E Dia	G/Pin Dia	Centres	B/E Width	S/E Width	Bolt Size	Qty in Set
Peugeot 1.6Ltr 16V	ARROW169	48.663	18.000	133.500	23.925	23.925	3/8 UNF	4
Peugeot 1.9 16v XU9	ARROW 155	53.700	21.000	143.000	24.200	22.400	3/8 UNF	4
Peugeot 1.9 16v XU9	ARROW 194	53.700	22.000	143.000	24.200	22.400	3/8 UNF	4
Porsche 356	ARROW188	56.990	22.000	136.000	19.750	21.000	5/16 WAVELOC	4
Porsche 993	ARROW189	58.010	23.000	127.000	18.875	19.700	3/8 UNF	6
Porsche 944	ARROW V096	55.000	24.000	150.000	28.750	26.000	3/8 UNF	4
Renault Clio 16V	ARROW122	51.593	21.000	144.000	24.950	24.950	3/8 UNF	4
Rover V8	ARROW137	53.970	7/8	143.764	21.437	24.200	3/8 UNF	8
Rover K Series	ARROW164	51.680	18.000	133.100	22.5000	15.050	5/16 UNF	4
Subaru	ARROW161	55.008	23.000	130.450	21.400	21.400	3/8 UNF	4
Suzuki Hayabusa 1300	ARROW181	41.006	20.000	119.500	20.975	19.000	5/16 UNF	4
Suzuki Hayabusa 1340	ARROW201	41.006	18.000	119.500	20.980	20.980	5/16 UNF	4
Suzuki Hayabusa Turbo	ARROW205	41.006	20.000	119.500	20.975	19.000	3/8 UNF	4
Toyota 4AGE 1.6 16V	ARROW142	45.012	20.000	122.000	21.825	21.825	5/16 UNF	4
Triumph TR6	ARROW160	51.340	13/16	146.050	22.760	22.760	5/16 UNF	6
Vauxhall 2Ltr (to suit Arrow C123)	ARROW106	52.006	21.000	143.100	26.365	22.000	3/8 UNF	4
Vauxhall 2Ltr XE	ARROW196S	52.006	21.000	143.100	23.800	22.000	3/8 UNF	4
Vauxhall Corsa	ARROW134	46.006	18.000	129.750	21.875	18.000	5/16 UNF	4
VW Golf 1.8	ARROW129	50.610	20.000	144.000	24.940	24.940	3/8 UNF	4
VW/Audi 5 Cyl	ARROW129S5	50.610	20.000	144.000	24.940	24.940	3/8 UNF	5
VW Golf 2.0Ltr	ARROW165	50.610	21.000	159.000	24.940	24.940	3/8 UNF	4
VW Golf GTi 2.0 TFSi	ARROW202	50.610	21.000	144.000	24.885	21.900	3/8 UNF	4
VW VR6	ARROW173	56.810	20.000	164.000	19.925	19.925	3/8 UNF	6

# ROD REQUEST FAX FORM

Please fill in all the boxes to ensure we have the relevant information

Customer name	
Date	
Contact number	
Engine description	
Number of cylinders	Expected BHP
Stroke	Expected torque
Maximum RPM	Application (circuit/rally etc)
Weight of Piston (inc pin & rings)	
Split <input type="checkbox"/>	Non Split <input type="checkbox"/>
Shell Type/ Part Number	
Special Instructions	



On completion please fax to  
 Arrow Precision Engineering Ltd  
 on +44 (0) 1455 233545



# STOCK CAM FOLLOWERS

Engine Description	Part No.	Outside Dia	Length	Stem Yes/No	Stem Length	Pad Thickness	To Suit Bore
Audi A4 20v	CF179	23.970	24.200	Yes	19.000		24.0
Audi A6 2.8ltr V6	CF203	33.470	25.800	Yes	19.000		33.5
Bristol	CF124	19.970	45.000	No		5.300	20.0
BDA Stem	CF324	30.470	22.830	Yes	19.660		30.5
BDA Pad	CF325	30.470	22.830	No		4.390	30.5
BDG Pad	CF326	31.740	22.840	No		4.270	1 1/4"
BDG Stem	CF327	31.740	22.850	Yes	19.650		1 1/4"
BMW M3	CF120	37.470	25.000	No		3.300	37.5
BMW M3 16v	CF135	37.470	27.940	No		4.500	37.5
BMW M3 16v	CF223	37.470	27.940	No		6.000	37.5
BMW M12	CF212	36.995	25.000	No		3.300	37.0
Citroen Saxo Group A Clubman	CF182	28.365	34.500	Yes	15.000		28.4
Climax	CF102	38.080	26.670	No		5.590	1.5"
Ferrari	CF125	32.970	28.000	No		4.700	33.0
Ford RS 2000	CF117	31.980	27.000	Yes	14.5000		32.0
Ford Sierra Cosworth	CF162	34.970	26.270	No		3.400	35.0
Ford Sierra Cosworth	CF107	34.970	28.760	Yes	17.160		35.0
Ford Zetec	CF138	28.370	26.100	Yes	14.900		28.4
Ford Zetec Post 98	CF252	29.970	24.600	Yes	14.900		30.0
Jaguar 3.8/4.2	CF372	34.92	24.89	No		5.640	1 3/8"
Kawasaki	CF155	32.970	24.540	No		2.500	33.0
Lotus Twin Cam	CF191	34.920	22.230	No		5.720	1 3/8"
Lotus Twin Cam O/S	CF233	34.970	22.230	No		5.720	35.0
Mazda 16V	CF151	29.970	25.000	Yes	16.000		30.0



## STOCK CAM FOLLOWERS cont...

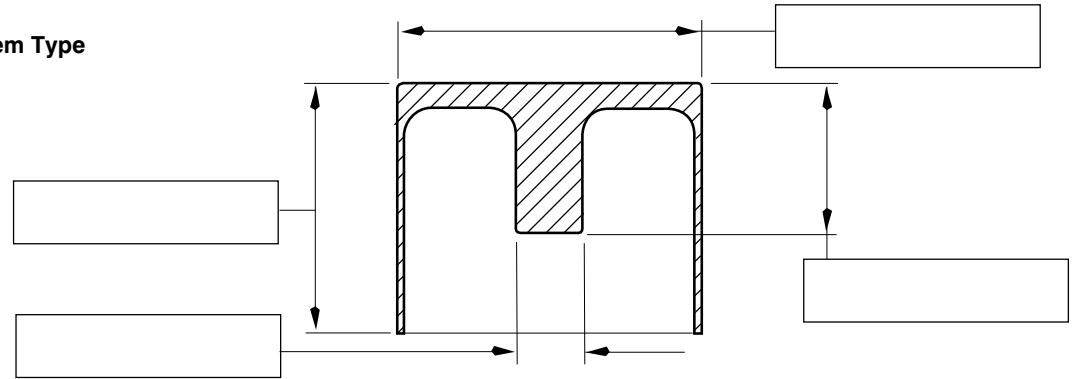
<b>Engine Description</b>	<b>Part No.</b>	<b>Outside Dia</b>	<b>Length</b>	<b>Stem Yes/No</b>	<b>Stem Length</b>	<b>Pad Thickness</b>	<b>To Suit Bore</b>
Peugeot 106	CF209	30.970	24.600	Yes	16.760		31.0
Peugeot 16V	CF136	34.970	28.760	Yes	12.800		35.0
Peugeot M116	CF147	31.970	26.100	Yes	12.800		32.0
P.S.A 1.6L 16V Kit Car	CF219	28.360	32.500	Yes	16.400		28.4
Renault 2.0 V6 F2	CF165	29.970	22.500	No		4.000	30.0
Renault Clio 16V	CF137	32.970	26.100	Yes	14.000		33.0
Rover K Series	CF433	32.970	26.000	Yes	14.300		33.0
Rover 6R4 Metro	CF201	36.480	23.000	No		4.270	36.5
Suzuki Swift 16V	CF148	30.970	24.5000	Yes	14.500		31.0
Toyota	CF101	27.970	21.615	No		3.560	28.0
Toyota MR2 Corolla	CF181	30.970	26.500	No		5.000	31.0
Triumph Dolomite Sprint	CF221	33.380	27.000	No		5.600	33.4
Vauxhall Astra 16V	CF134	31.970	26.100	Yes	14.900		32.0
VW Audi 4Cyl 20V (Inlet)	CF456	23.970	24.200	Yes	15.000		24.0
VW Audi 4Cyl 20V (Exhaust)	CF457	33.470	25.800	Yes	15.000		33.5
VW Audi 8V/16V	CF133	34.970	26.300	Yes	14.700		35.0
VW Audi 8V/16V	CF177	34.970	26.300	No		3.900	35.0
VW Golf 8V/16V	CF164	36.970	26.300	No		3.900	37.0
VW Polo 16V	CF163	30.970	24.500	Yes	16.000		31.0

# CAM FOLLOWER REQUEST FAX FORM

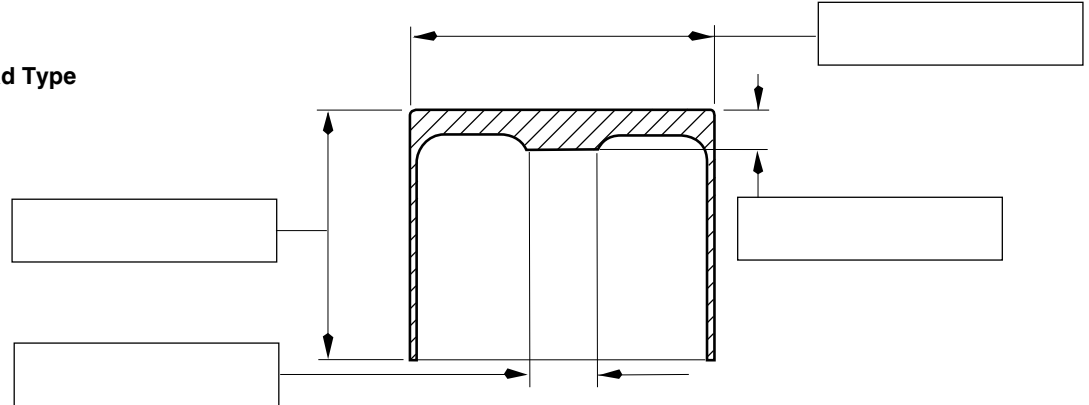
Please fill in all the boxes to ensure we have the relevant information

Customer name		
Date		
Contact number		
Engine description		
Number of valves		
Type of Cam Follower	Pad type	Stem Type
Special Instructions		

**Stem Type**



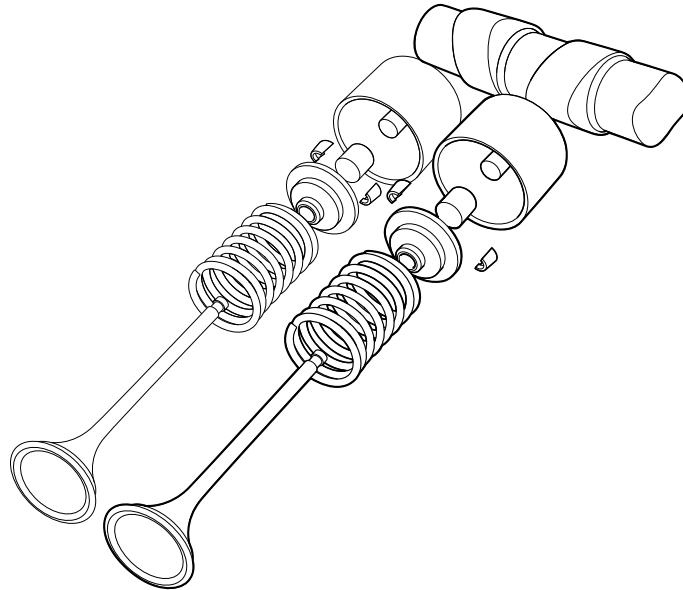
**Pad Type**



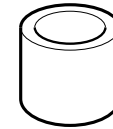
On completion please fax to  
 Arrow Precision Engineering Ltd  
 on +44 (0) 1455 233545

# TAPPET SHIM STOCK LIST

Part Number	Description	Internal Diameter	External Diameter	Internal Depth	Workable Depth
TS-102	top-hat type tappet shim	7mm	10mm	2.4mm	1.5mm-5mm
TS-104	top-hat type tappet shim	8mm	11mm	2.5mm	1.5mm-5mm
TS-105	top-hat type tappet shim	5.5mm	8.5mm	2.0mm	1.5mm-5mm
TS-108	top-hat type tappet shim	9mm	13mm	3.0mm	1.5mm-5mm
TS-109	top-hat type tappet shim	7.15mm (9/32)	10mm	2.4mm	1.5mm-5mm
TS-112	top-hat type tappet shim	6mm	7.8mm	3.0mm	1.5mm-5mm
TS-126	top-hat type tappet shim	7.95mm (5/16)	12mm	3.0mm	1.5mm-5mm
TS-127	top-hat type tappet shim	8.74mm (11/32)	12.75mm	3.0mm	1.5mm-5mm



Biscuit type



Top hat type

# STOCK CRANKSHAFTS

Engine Description	Stroke	Part Number	Pin Dia	Pin Wdth	Main Dia	Main Wdth	C/Weight	Bolt
Ford MAE Formula Junior Wide	48.35	ARROWC100	49.21	27.03	53.99	31.70	4	6
Ford MAE Formula Junior Narrow	48.35	ARROWC101	49.21	23.96	53.99	31.70	4	6
Ford BD Narrow Pin	69.10	ARROWC102	49.21	23.96	53.99	31.70	8	12
Ford BD Narrow Pin	77.62	ARROWC106	49.21	23.96	53.99	31.70	8	12
Ford BD Narrow Pin	82.00	ARROWC107	49.21	23.96	53.99	31.70	8	12
Ford BD Narrow Pin	84.00	ARROWC108	49.21	23.96	53.99	31.70	8	12
Ford Duratec 2.0L	83.10	ARROWC117	46.99	22.05	51.99	26.00	4	6
Ford Duratec 2.3L	94.00	ARROWC118	49.99	22.05	51.99	26.00	4	6
Ford FV Narrow Pin	69.10	ARROWC103	49.21	23.96	53.99	31.70	8	12
Ford Zetec 2005	88.00	ARROWC110	46.90	24.55	57.99	24.9, 25.55 & 28.0	4 + 4	6
Ford 77.62mm Crossflow / T'cam	77.62	ARROWC139	49.21	23.95	53.99	31.70	12	12
Ford 77.62mm FV	77.62	ARROWC138	49.21	23.95	53.94	31.70	12	12
Cosworth YB	77.00	ARROWC111	51.99	26.00	56.97	32.03	8	9
Cosworth YB Narrow	77.00	ARROWC112	49.21	23.96	56.97	32.03	8	9
Cosworth YB	84.00	ARROWC113	51.99	26.00	56.97	32.03	8	9
Cosworth YB Narrow	84.00	ARROWC114	49.21	23.96	56.97	32.03	8	9
Cosworth YB	88.00	ARROWC115	51.99	26.00	56.97	32.03	8	9
Cosworth YB Narrow	88.00	ARROWC116	49.21	23.96	56.97	32.03	8	9
Cosworth YB Narrow	82.00	ARROWC142	49.21	23.96	56.97	32.03	8	9
Coventry Climax FWB	80.00	ARROWC136	47.63	25.47	53.94	32.40	4	6
Coventry Climax FWAE	66.68	ARROWC137	47.65	25.48	53.94	32.41	4	6
Honda Civic K20A	86.00	ARROWC126	48.00	20.05	55.00	27.15	4	8
Jaguar 3.8	106.00	ARROWC134	52.98	30.17	69.84	44.47	12	10
Lotus Twin Cam Narrow	72.75	ARROWC104	49.21	23.96	53.99	31.70	8	12

## STOCK CRANKSHAFTS cont...

Engine Description	Stroke	Part Number	Pin Dia	Pin Wdth	Main Dia	Main Wdth	C/Weight	Bolt
Lotus Twin Cam Wide	72.75	ARROWC105	49.21	27.03	53.99	31.70	8	12
MGB	88.90	ARROWC140	47.66	25.70	54.02	34.25	8	6
Mitsubishi Evo	88.00	ARROWC127	44.99	26.53	57.00	25.50	8	7
Mitsubishi Evo	88.00	ARROWC128	44.99	26.53	57.00	25.50	4	7
Mitsubishi Evo	97.00	ARROWC129	44.99	26.53	57.00	25.50	8	7
Mitsubishi Evo X	86.00	ARROWC141	51.98	23.55	51.99	24.05	8	7
Metro 6R4	93.00	ARROWC133	50.81	43.18	54.41	27.00	6	6
Porsche 6 cyl	72.10	ARROWC121	52.98	22.05	59.98	20.0 & 28.0	12	9
Porsche 6 cyl	80.40	ARROWC122	52.98	22.05	59.98	20.0 & 28.0	12	9
Rover K Series	89.30	ARROWC125	48.00	22.75	47.98	24.58	8	6
Subaru Impreza	81.00	ARROWC130	51.99	21.50	59.99	18.5, 22.0 & 23.0	4	8
Subaru Impreza	79.00	ARROWC131	51.99	21.50	59.99	18.5, 22.0 & 23.0	4	8
Subaru Impreza	75.00	ARROWC132	51.99	21.50	59.99	18.5, 22.0 & 23.0	4	8
Toyota 5K	73.00	ARROWC119	41.99	25.03	49.99	28.0 & 29.0	8	6
Toyota 4AG	77.00	ARROWC120	41.99	22.02	47.99	26.00	8	8
Vauxhall 2.0L XE 16v	86.00	ARROWC123	48.98	24.00	57.99	26.00	4	8
Vauxhall 1.6L 16v	81.50	ARROWC124	42.98	22.00	54.98	26.0 & 27.0	4	6

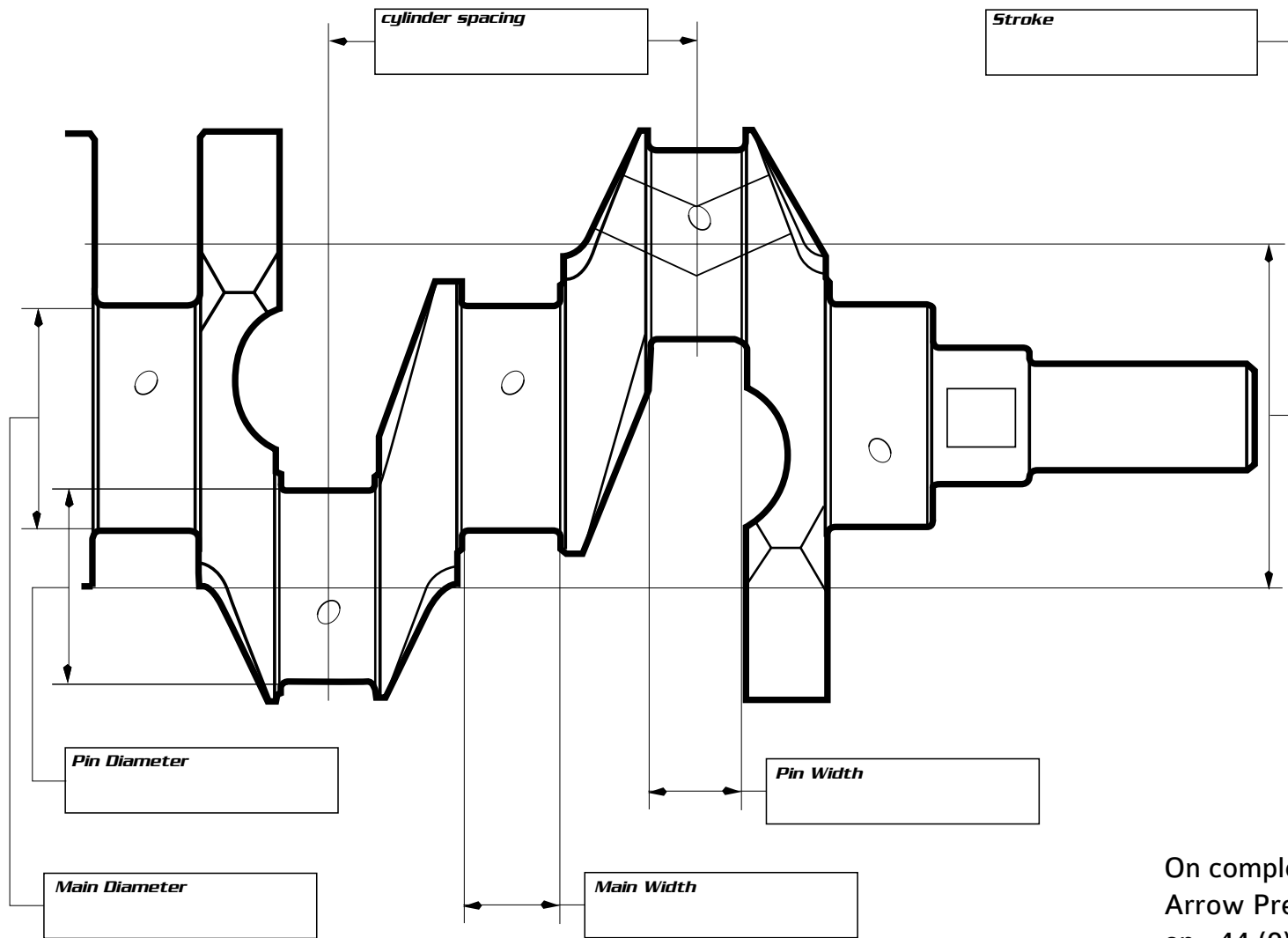
# CRANK REQUEST FAX FORM

Please fill in all the boxes to ensure we have the relevant information

Customer name
Date
Contact number
Engine description
Number of cylinders
Maximum rpm
Weight of Piston (Inc pin & rings)
Original stroke
Expected BHP
Expected torque
Application (circuit, rally etc)
Quantity of counterweights required
Special Instructions (Spline or gear requirements etc)



On completion please fax to  
Arrow Precision Engineering Ltd  
on +44 (0) 1455 233545



On completion please fax to  
Arrow Precision Engineering Ltd  
on +44 (0) 1455 233545

Arrow Precision Engineering Limited can be contacted during normal office opening hours between 9am - 5pm GMT. Or alternatively you can email or fax us.

You can purchase many of our stock items plus the complete range of ARP products online at [www.arrowprecision.com](http://www.arrowprecision.com) you will also find online forms to enquire about custom rods and followers plus regularly updated stock lists covering all aspects of our business. Information on all of our products including technical information on caring for rods can also be found.

Arrow Precision Engineering Limited are an ISO9002 Accredited Company.

**Arrow Precision Engineering Ltd**  
**12 Barleyfield**  
**Hinckley Fields Industrial Estate**  
**Hinckley**  
**Leicestershire**  
**LE10 1YE**  
**United Kingdom**

tel: +44 (0) 1455 234200

fax: +44 (0) 1455 233545

web: [www.arrowprecision.com](http://www.arrowprecision.com)

email: [enquiries@arrowprecision.com](mailto:enquiries@arrowprecision.com)



**Disclaimer:** Although we make every effort to ensure there is sufficient stock to cover all eventualities, it is at times impossible to forecast demand, we would suggest that all orders are placed as early as possible to avoid any disappointment. Arrow Precision Engineering Limited reserve the right to change the specifications or availability of any product at any time.

© Arrow Precision Engineering Ltd 2013

